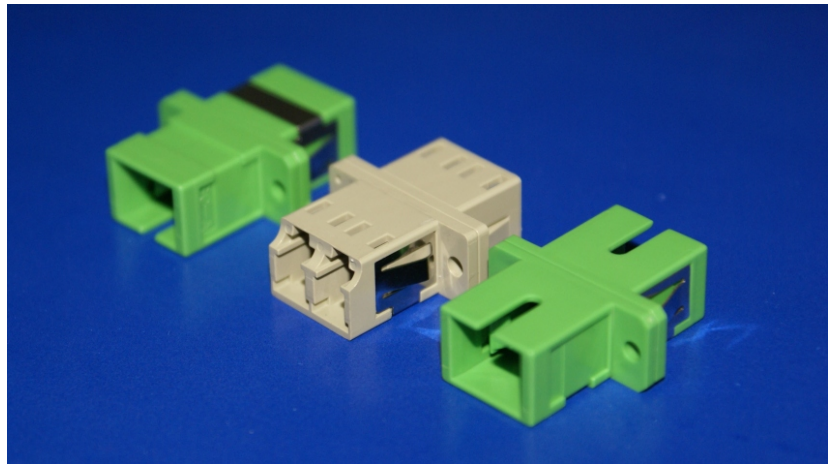


Feature:

- Easy to handle
- Environmentally stable
- Low insertion loss
- High return loss

Applications:

- telecommunications
- local area network
- fiber to the home
- fiber optic sensors
- Testing instruments
- CATV



Adaptors include in FC SC LC ST E2000 and hybrid type it is the connecting part of fiber optic connector concentricity with exact ceramic sleeve to align. It has superior flexibility and is abrasion resistant. It is excess is low and it owns good repetition interchangeable ability and stability.

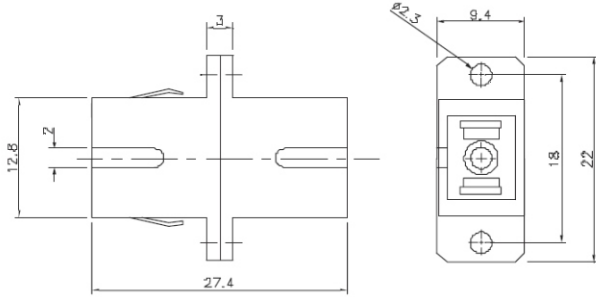
Performance specifications

ITEM	Unit	Specification
Insertion loss	dB	≤0.20
Repeatability	dB	≤0.10
Changeability	dB	≤0.20
Sleeve material		Ceramic or bronze
Storage temperature	°C	-55~+85
Operation temperature	°C	-40~+75
Industry standard		Bellcore TA-NWT-001209

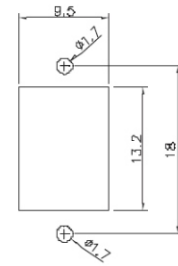
Adaptor parts

Mechanical Drawings

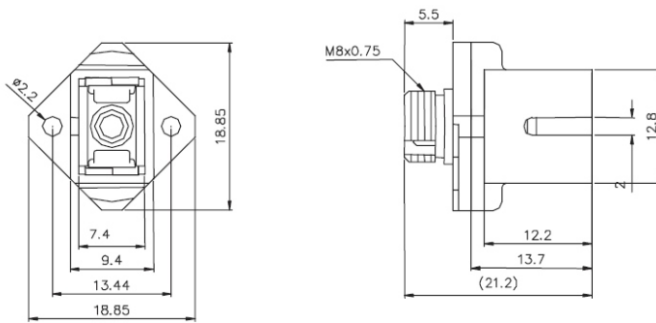
Unit mm



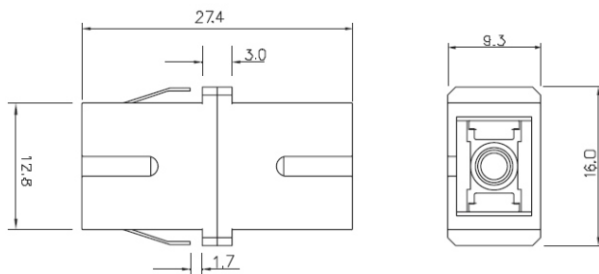
SC



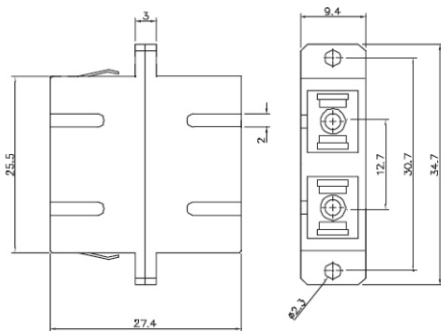
Recommended panel cutout



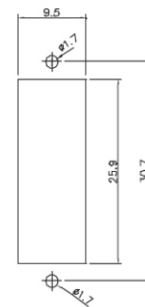
SC-FC Hybrid



SC Short flange type

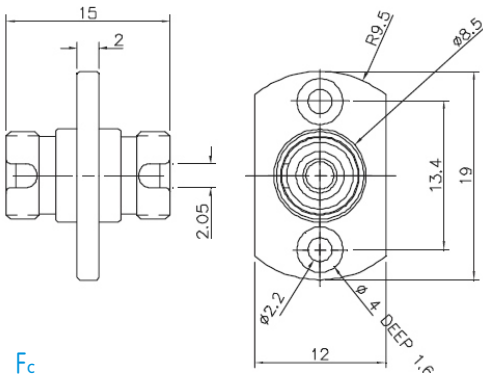


SC Double

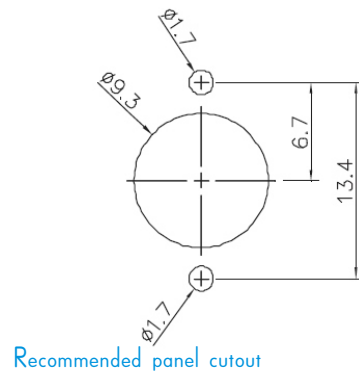


Recommended panel cutout

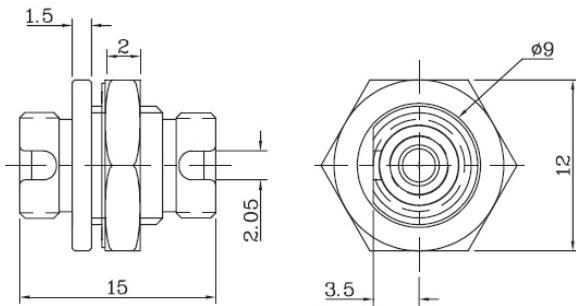
Mechanical Drawings



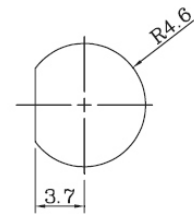
Fc



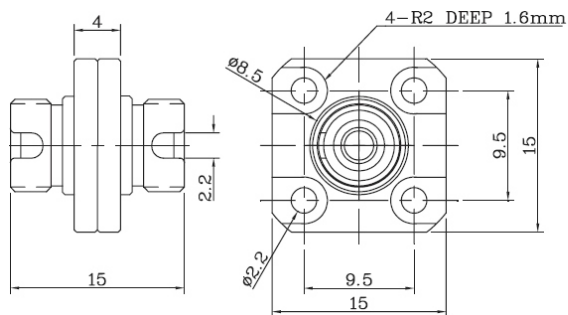
Recommended panel cutout



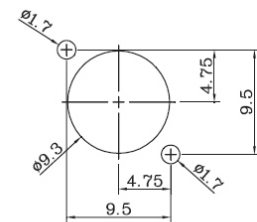
Fc D-hole



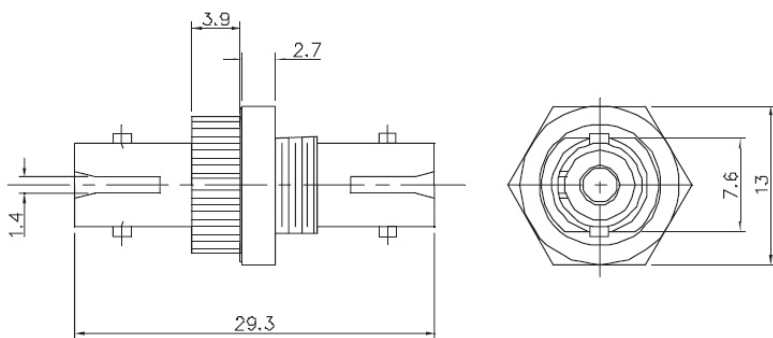
Recommended panel cutout



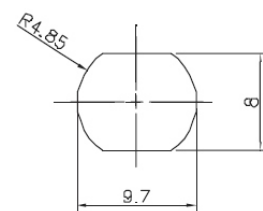
Fc die-cast



Recommended panel cutout



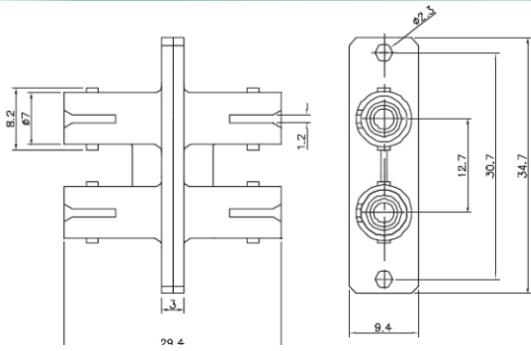
St



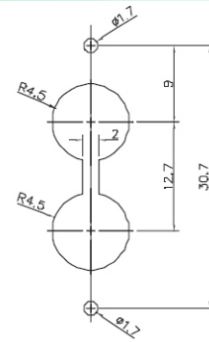
Recommended panel cutout

Adaptor parts

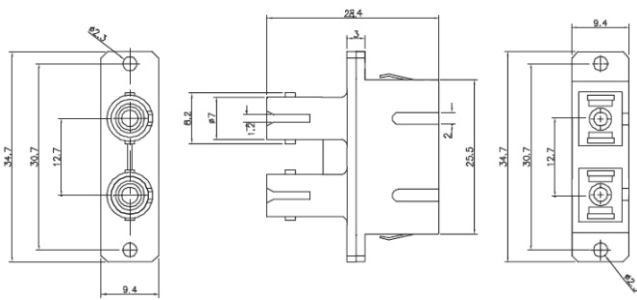
Mechanical Drawings



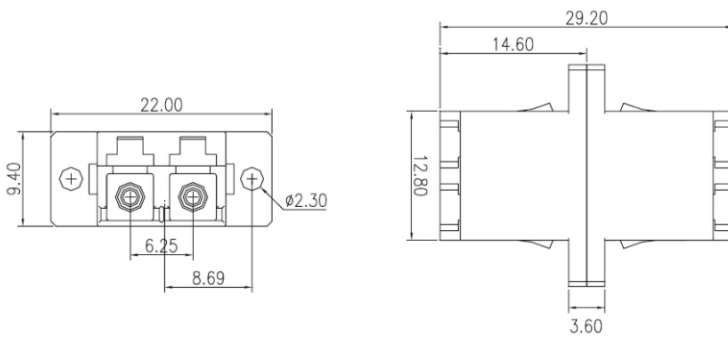
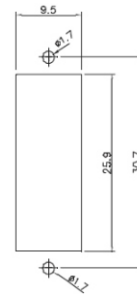
ST Double



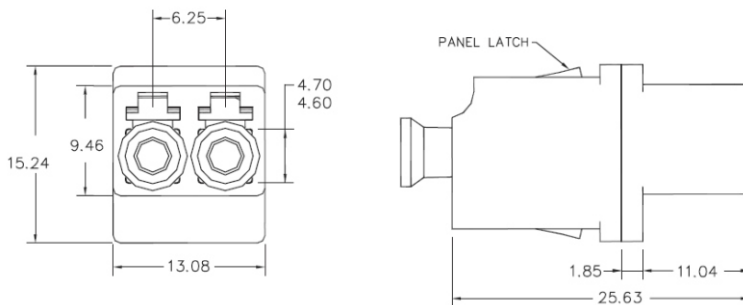
Recommended panel cutout



SC-ST Hybrid



LC double sc type



LC Double

Standard housing color:

APC	Green
PC	Blue
UPC	Blue
MM	Beige

