

Description

2-way, 2 output CATV amplifier with AGC

Feature

- Use low noise Philips module.(Forward:BGY887+BGD814 ,Reverse BGY67A)
- EQ, ATT have fixed or adjustable
- Output splitter or coupler can plug change to make engineering debug more agile
- More powerful, less consumption



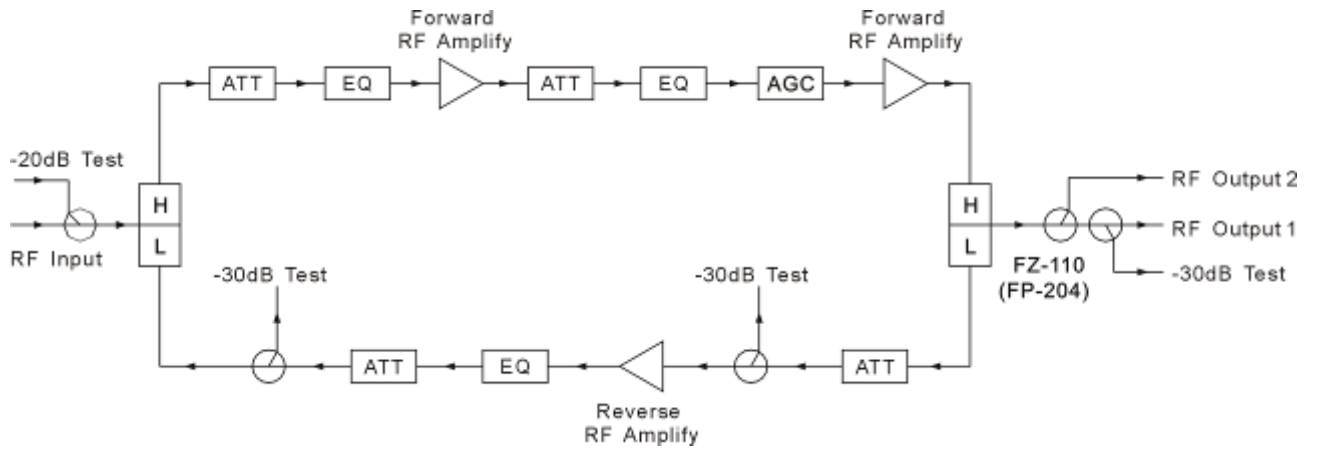
Specification

Frequency bandwidth	Forward	87-860MHz
	Reverse (option)	5-65MHz
Gain	Forward	30dB
	Reverse (option)	12dB
Noise figure	Forward	≤10dB
	Reverse (option)	≤12dB
Output level	Forward	102dBuV
Pilot frequency		168.25MHZ(option)
AGC accuracy		±3dB ±0.3dB
CTB	Forward	≥65dB
CSO	Forward	≥63dB
Return loss	Forward	≥15dB
	Reserve	≥15dB
Flatness in band	Forward	±0.75dB
	Reserve	±0.75dB
Input voltage	Ac:135v-250v,or Ac:35v-90v	
Consumption	30w	
Dimension	340mmx220mmx160mm	

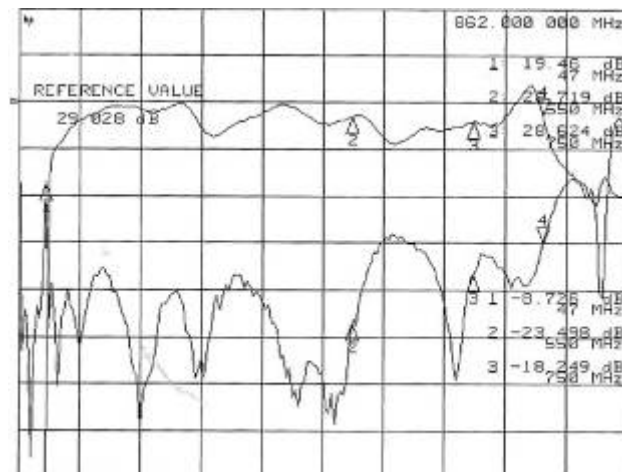
Test condition

At the range of 750MHz (112.25~743.25MHz) when testing the C/CTB and C/CSO, set 79 PAL-D imitate TV channels signal; set 93PAL-D imitate TV channels signal at the range of 862MHz (112.25~855.25MHz).Choose f1=65MHz, f2=63MHz and f3=57MHz to test when measuring index of max output level in upgo transmission.

Principle drawing



Test printing



--END--