

# DETAILS OF LMR240-400

## 1. Basic Construction

		LMR240	LMR300	LMR400
Conductor	Material	BC	BC	BC/CCA
	Nom.Dia.	1.42mm	1.78mm	2.74mm
Dielectric	Material	Foam PE	Foam PE	Foam PE
	Nom.Dia.	3.81mm	4.83mm	7.24mm
Shield	Material	Al foil+TC Braiding	Al foil+TC Braiding	Al foil+TC Braiding
	Coverage	45%-90%	45%-90%	45%-90%
Jacket	Material	PVC/PE	PVC/PE	PVC/PE
	Nom.Thick.	0.79mm	0.97mm	1.09mm
	Nom.Dia.	6.10±0.15mm	7.62±0.20mm	10.29±0.20mm




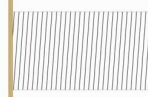
## 2. Basic Characteristics

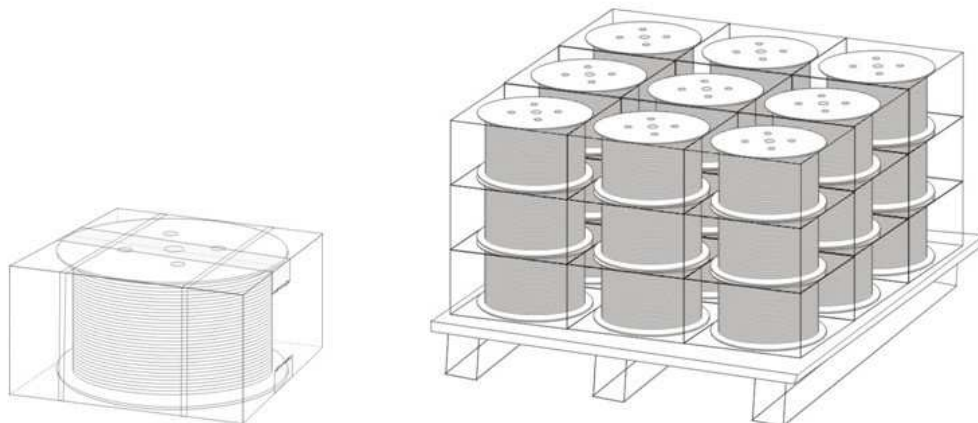
Nominal Impedance(ohm)		50±2		50±2		50±2	
Nominal Velocity of Propagation(%)		84		85		85	
Nominal Capacitance(pF/m)		85		84.5		84	
Sparker Test(VAC)		2500		4000		4000	
SRL(db)	50-300	20		20		20	
	300-1000	20		20		20	
Attenuation 【68F (20℃)】	Frequency(MHz)	Maximum(db/100ft)			Maximum(db/100m)		
	50	1.7	1.4	0.9	5.58	4.59	2.95
	150	3	2.4	1.5	9.84	7.87	4.92
	300	4.29	3.42	2.19	14.08	11.23	7.2
	450	5.3	4.2	2.7	17.38	13.78	8.86
	500	5.35	4.45	2.84	17.4	14.62	9.39
	960	7.85	6.31	4.03	25.75	20.7	13.22
	1500	9.9	7.9	5.1	32.5	25.92	16.73
	2000	11.5	9.2	6	37.73	30.18	19.68
	2500	12.9	10.4	6.8	42.33	34.12	22.31
5800	20.4	16.6	10.8	66.8	54.3	35.5	

### Purchase Notice:

1. Please select the material of inner conductor :BC or CCS
2. Please select the material of jacket:PVC,PVC with RoHs,PE or LSZH.
3. Please select the packing:reel with carton or wooden spool with carton.
4. Please show us your own specification if it's not the same as ours.
5. Please inform us if you have any other requirement.

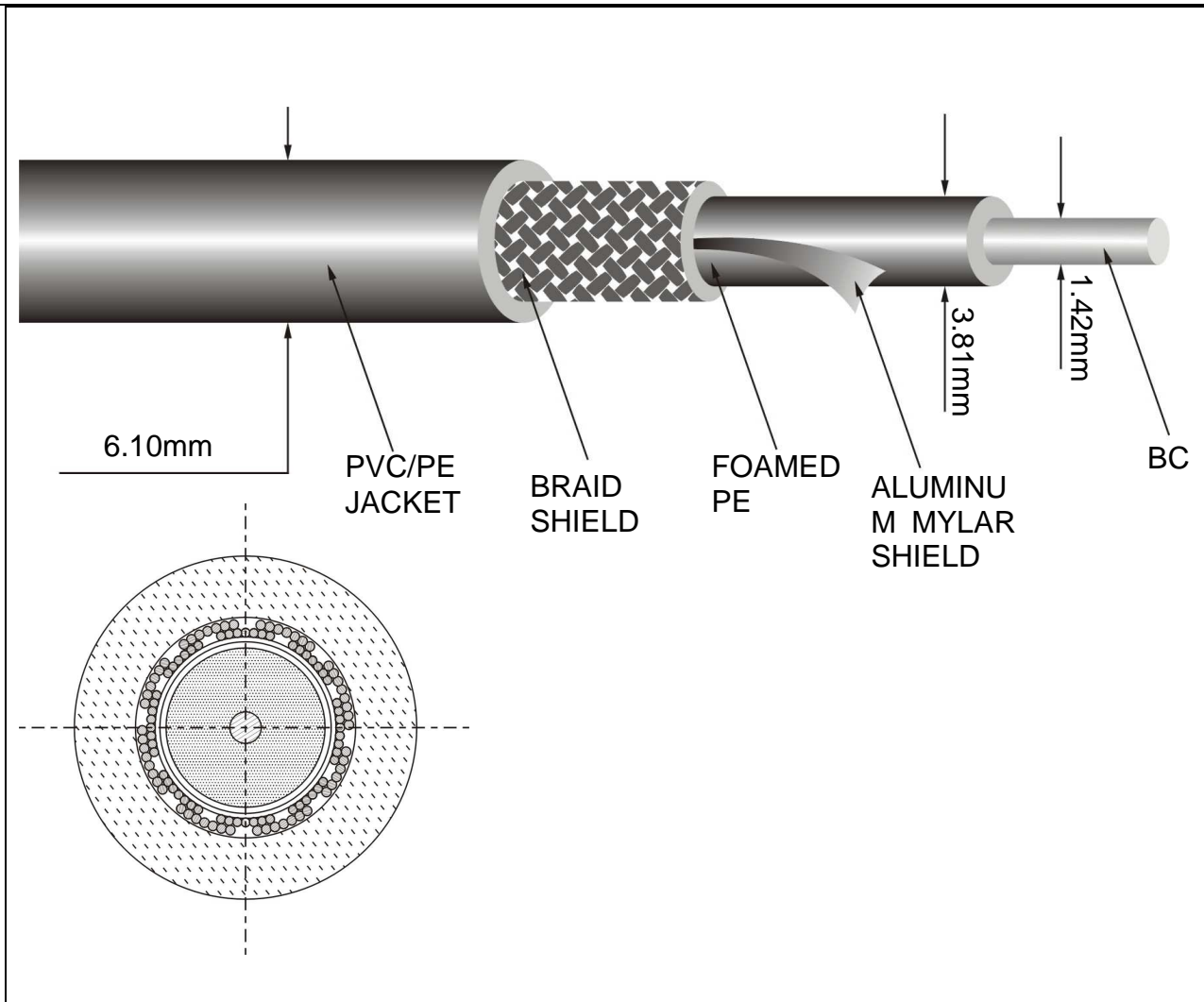
### 3. Packing Details

Item No.:	LMR240		LMR300	LMR400
Specification:	1.42BC+3.81FPE+AL foil+TC braiding+6.10PVC		1.78BC+4.83FPE+AL foil+TCbraiding+7.62PVC	2.74CCA+7.24FPE+AL Foil + TC braiding+10.29PVC
Packing:	100M/Reel 8Reels/Carton	305m/Plastic Spool Spool/Carton	305M/Wooden Spool 1Spool/Carton	305M/Wooden Spool
PLASTIC SPOOL SIZE: WOODEN SPOOL SIZE:	8.7*25.5*9CM	10*27*26.5CM	35*25*10CM	41.5*38*16CM
Image:	 Reel	 Plastic Spool	 Wooden Spool	 Wooden Spool
Carton Size:	55*26.5*26CM	28*28*28CM	36*36*26.5CM	No Carton
G.W.:	26.8KG/Carton	14.1KG/Carton	23.43KG/Carton	40.75KG/Spool
N.W.:	25.8KG/Carton	13.1KG/Carton	21.43KG/Carton	36.5KG/Spool
Quantity in a 20 Feet Container	672 Cartons	980 Cartons	600 Cartons	300 Wooden Spools



#### Purchase Notice:

1. Please select the material of inner conductor :BC or CCS
2. Please select the material of jacket:PVC,PVC with RoHs,PE or LSZH.
3. Please select the packing:reel with carton or wooden spool with carton.
4. Please show us your own specification if it's not the same as ours.
5. Please inform us if you have any other requirement.



	SCALE	PROJECTION	
	C/NOTE		
TOLERANCES UNLESS OTHERWISE STATED	APPROVAL	F.J.P	
	DIMENSIONS	mm	
	DRAWN	2010-7-A	

**Purchase Notice:**

1. Please select the material of inner conductor :BC or CCS
2. Please select the material of jacket:PVC,PVC with RoHs,PE or LSZH.
3. Please select the packing:reel with carton or wooden spool with carton.
4. Please show us your own specification if it's not the same as ours.
5. Please inform us if you have any other requirement.