

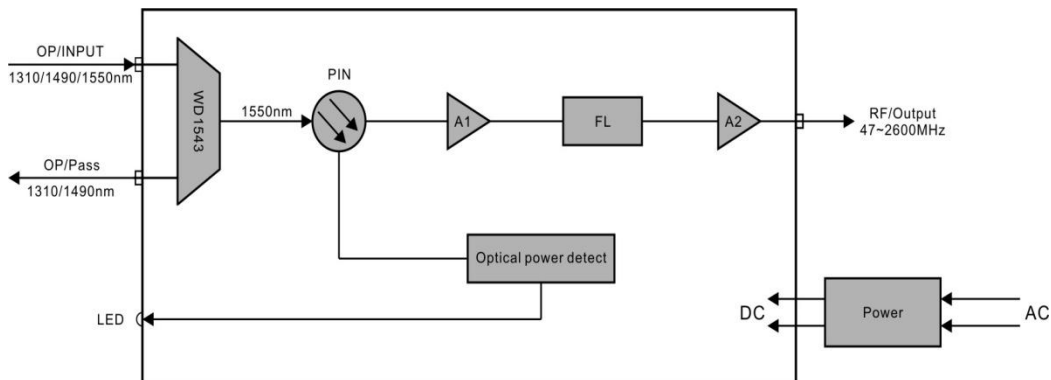
SOR-201

CATV & Satellite Optical Receiver

I. Features

1. With high sensitivity optical detector.
2. It is an embodiment of high-tech in CATV and L-band satellite fiber linking products
3. It can be received in an optical fiber with 47~2600MHz satellite and catv digital and analog signals.
4. Simple installation; It is convenient for user to install.
5. Input power from +0~-13dBm.
6. It has a good electromagnetic interference resistance ability.
7. High performance but low price.

II. Diagram

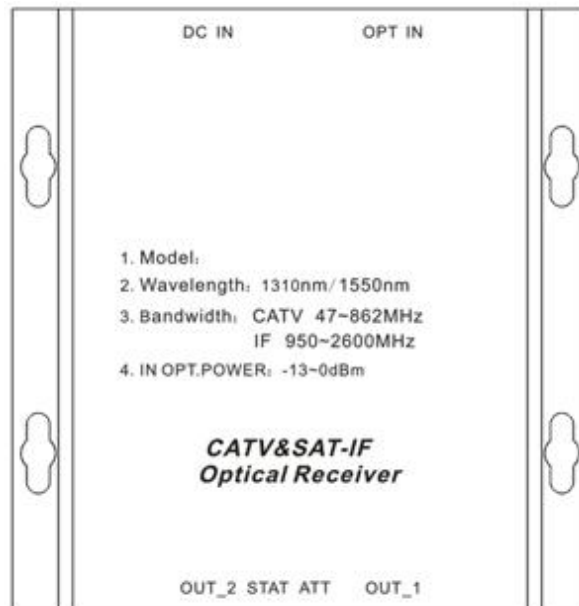


III. Parameters

Optical	
Working Wavelength (nm)	1290~1600
Input range (dBm)	-13~0
Optical Return Loss (dB)	≥45
Fiber Connector	SC/APC
RF	
Frequency (MHz)	47~862
Unflatness (dB)	±1.5
Output Level (dBuV)	66~86@0dBm
Manual Gain Range (dB)	0~20±1
Output Return Loss (dB)	≥16
Output Impedance (Ω)	75

No. of output port	2
RF connector	F-5(Imperial)
Link	
CTB (dB)	≥62@0dBm
CSO (dB)	≥63@0dBm
CNR (dB)	≥50@0dBm
Test Condition: 60 个 (PAL-D)channels, Optical input=0dBm, 3 steps EDFA 在噪 Noise figure =5dB, distance 65Km, OMI 3.5%。	
SAT-IF	
Frequency (MHz)	950~2600
Output (dBm)	-50~-30
Unflatness (dB)	±1.5dB
IMD	-40dBc
Output Impedance (Ω)	75
General	
Power supply (V)	12 DC
Power Consumption (W)	≤4
Working Temp (°C)	0 ~ 50
Storage Temp	-20~85°C
Humidity	20 ~ 85%

IV. Operation Manual



Light	Classification	Color	Condition	Light meaning
STAT	Power	Red/Green	ON	Powered
			Off	No power
	Optical Light		Green On	Fiber In≥-12dBm

			Red On	Fiber<-12dBm or No input
Fiber	Types	Classification	Remarks	
DC IN	Power supply	Power Supply Input	DC12v	
OPT IN	Fiber Port	Optical Input	1310nm/1550nm Input	
OUT_1 、 OUT_2	RF Port	RF Output	Connect to client	
ATT	Level adjustment	Screw	Manual Gain range 0~20±1	

V. WARRANTY TERMS

SOR-201 Series Receiver are covered by **ONE YEAR LIMITED WARRANTY**, which starts from the initial date of your purchase. We provide its customer whole-life technical supports. If warranty is expired, repair service only charges parts (if required). In the event that a unit must be returned for service, before returning the unit, please be advised that:

1. Warranty mark pasted on the housing of unit must be in good conditions.
2. A clear and readable material describes model number, serial number and troubles should be offered.
3. Please pack the unit in its original container. If the original container is no longer available, please pack the unit in at least 3 inches of shock absorbing material.
4. Returned unit(s) must be prepaid and insured. COD and freight collect can not be acceptable.

NOTE: we **do not** assume responsibility for damage caused by improper packing of returned unit(s).

The following situation is not covered by warranty:

1. The unit fails to perform because of operators' faults.
2. Warranty mark is modified, damaged and/or removed.
3. Damage caused by Force Majeure.
4. The unit has been unauthorized alteration and/or repaired.
5. Other troubles caused by operators' faults.

V. Common Problem Solution

1.The power light off after connect the power supply

Reason:

1. Power supply not connected probably
2. The power supply fault

Solution: 1. Check the connection

2. Change power adaptor

2.The optical IN Light Red

- Reason:
1. Fiber input $< -12\text{dBm}$ or no optical Input
 2. The fiber connector loose
 3. The fiber connector dirty

- Solution:
1. Check the input
 2. Check the connection
 3. Clean the fiber connector