

SOFTTEL



SFT3211HS

H.264/HEVC HD Encoder



OSD (Logo/PPT/Caption/QR Code) Insertion



Outline

SFT3211HS H.264/HEVC HD Encoder is the new broadcasting audio & video encoding device with powerful functionality. It is equipped with multiple video input interfaces (HDMI, SDI, YPbPr and CVBS) and audio input interfaces (AES, RCA and XLR) to make it possible to compatible with different signal sources.

HANGZHOU SOFTEL OPTIC CO., LTD

ADD:708-709 HAIWEI BUILDING, No.101 BINKANG ROAD ,BINJIANG DISTRICT, HANGZHOU,ZHEJIANG,CHINA
TEL:+86 571 88989381 FAX:+86 571 88983280
Web : www.softel-optic.com

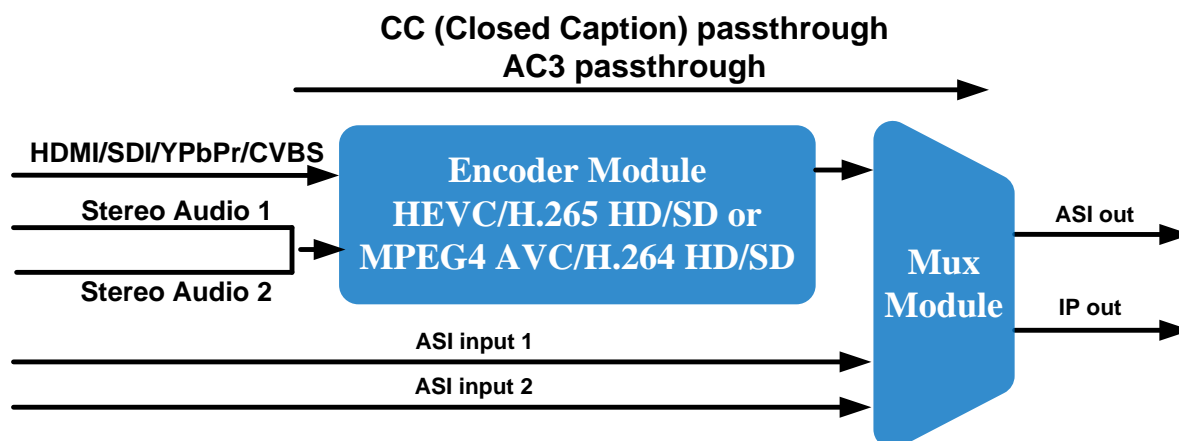
Multiple audio and video encoding formats are available to meet customers' various requirements. It supports 2 stereo (4 mono) to mix with the video to form a stream output. The encoded program will finally output in TS through ASI/IP port.

SFT3221HS is also featured with OSD (QR code, LOGO and Caption) insertion function and can display multiple elements at same time. Operator can insert advertisement picture, own LOGO, special QR code, Text content in encoding process independent of STB. It will bring more profit for product user.

Key Features

- Support OSD (QR code, LOGO and Caption) insertion
- HEVC/H.265 HD/SD (with B frame to ensure high video compression ratio and bitrate stability) and MPEG-4 AVC/H.264 HD/SD video encoding, YPbPr port for HD only
- Support resolution down convert
- MPEG1 Layer II, HE-AAC (v1&v2), LC-AAC Audio encoding
- Support 2 stereos or 4 mono audio encoding
- Support DD AC3 audio passthrough (for SDI or HDMI in)
- Support 2 ASI input for re-mux
- Support ASI output and IP over UDP /RTP/RTSP output
- Support CC (closed caption), EIA 608 (for CVBS in)
- LCD / keyboard control and web management

Inner Principle Chart



Specifications

Video	Interface	1×HDMI, 1×HD-SDI, 1×YPbPr and 1×CVBS		
	Resolution	Input	Output	Interface Applicable
		1920×1080p@60/59.94	1920×1080p@60,	SDI, HDMI
		1920×1080p@50	1920×1080p@50	
		1920×1080i@60/59.94	1920×1080p@30	SDI, HDMI, YpbPr
		1920×1080i @50	1920×1080p@25	
		1280×720p@60/59.94	1280×720p@60	
		1280×720p@50	1280×720p@50	
		720×576i@50	720×576p@25	SDI, HDMI, CVBS
	720×480i@60	720×480p@30		
Encoding	HEVC/H.265 HD/SD; MPEG-4 AVC/H.264 HD/SD			
Bitrate Range	1 – 15.00 Mbps			
Rate Control	CBR/VBR			
GOP Structure	IP, IBBP, IBBBP			
Chroma	4:2:0			
Audio	Interface	2×XLR, 2×AES, 2×RCA, 1×SDI (support maximum 2 stereos synchronous processing), 1×HDMI,		
	Encoding	MPEG-1 Layer II, HE-AAC (v1&v2), LC-AAC, DD AC3 passthrough (for SDI and HDMI in)		
	Sampling rate	48KHz		
	Bit-rate	32Kbps~384Kbps		
Stream Input	2 ASI Input for remux			
Stream output	2×ASI output ports, BNC interface 1 IP (MPTS) over UDP / RTP /RTSP, 1000 Base-T Ethernet interface*2 with independent IP addresses (multicast/unicast)			
System function	LCD/keyboard and web management			
	Language: English			
	Ethernet software upgrade			
General	Dimensions	482mm×405mm×44.5mm (W × D × H)		
	Temperature	0~45℃ (Operation), -20~80℃ (Storage)		
	Power	AC110V±10%, 50/60Hz; AC 220V±10%,50/60Hz		
	Consumption	15W		

Technical Comparison

	SFT3211B	SFT3211A	SFT3211HS
Chipset	Magnum	Magnum	Hisilicon
Video Encoding	MPEG-2 HD/SD; MPEG-4 AVC/H.264 HD/SD	MPEG-2 HD/SD; MPEG-4 AVC/H.264 HD/SD	HEVC/H.265 HD/SD MPEG-4 AVC/H.264 HD/SD
Bit Rate	0.20 – 60.00 Mbps	0.25Mbps~60.5Mbps	1Mbps~15Mbps
HDMI Resolution	HD	HD/SD	HD/SD
Audio Encode	MPEG-1 Layer II, HE-AAC (v1&v2), LC-AAC, DD AC3 (2.0), DD AC3 passthrough (for SDI in)	MPEG-1 Layer II, HE-AAC (v1&v2), LC-AAC; DD AC3 passthrough	MPEG-1 Layer II, HE-AAC (v1&v2), LC-AAC, DD AC3 passthrough (for SDI and HDMI)
Audio Channel	Up to 4 stereos	Up to 2 stereos	Up to 2 stereos
Rate Control	CBR	CBR/VBR	CBR/VBR
Aspect Ratio	16:9, 4:3, 14:9	16:9, 4:3, 1:1, 2.35:1	
Chroma	4:2:0, 4:2:2	4:2:0, 4:2:2	4:2:0
One-seg	N/A	Yes	N/A
Video Buffer	Yes	N/A	N/A
ASI In & Mux	N/A	1 ASI input for remux	2 ASI input for remux
IP out	1SPTS over UDP/RTP	MPTS/8*SPTS over UDP/RTP,	1 MPTS over UDP / RTP /RTSP
Low Delay	150ms, 200ms, 350ms, 650ms	1400ms - 5000ms, 1ms stepping	N/A
Closed Caption	EIA 608 and EIA 708	EIA 608 and EIA 708	EIA 608
OSD Function	Yes	N/A	Yes
Management	Web-server	Web-server, SNMP	Web-server